



PROJECT		REF		REV	ITEM CODE	
LOCATION		DATE			PAGE	

## SANITARY WARE SPECIFICATION SHEET


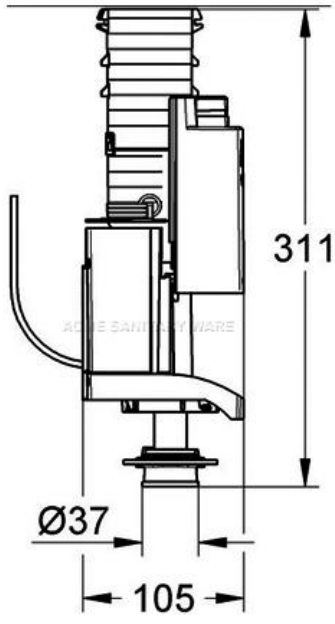
<p><b>Item Descriptions</b></p> <p><b>Dimensions</b></p> <p><b>Model</b></p> <p><b>Finish</b></p> <p><b>Manufacturer</b></p> <p><b>Supplier</b></p> <p><b>Contact Tel/Fax</b></p> <p><b>E-mail</b></p> <p><b>Website</b></p>	<p>GROHE (Germany) Rapid SL for wall hung WC with concealed flushing cistern 3/6L dual flush, 1.13M installation height; Skate Cosmopolitan <b>Brushed Nickel ABS</b> wall plate for pneumatic discharge valve in the vertical orientation during installation; Wall brackets in pairs</p> <p>L156 x H197 x D10 mm</p> <p>38732EN0 (Wall plate)        38528001 (Concealed cistern with frame)        3855800M (Wall brackets)</p> <p>Brushed Nickel</p> <p>GROHE Limited</p> <p>Acme Sanitary Ware Co. Ltd        Mr. Eric Wong/ Mr. Wilson Hung        (852) 2388-7171 / (852) 2710-8012        acme@acmesanitary.com.hk        www.acmesanitary.com.hk</p>	<p style="text-align: center;">Illustration/ Drawing</p> <div style="text-align: center;"> </div> <div style="text-align: center;"> <p>Wall Brackets</p> </div> <div style="text-align: center;"> </div> <div style="text-align: center;"> </div>
<p>Skate Cosmopolitan Flush plate or dual flush or start &amp; stop actuation for pneumatic drop valve AV1 for vertical and horizontal installation for mounting of small flush plates please order inspection shaft 40 911 000 (sold separately)</p> <p><b>GROHE StarLight</b> finish</p> <p><b>GROHE EcoJoy</b> technology for less water and perfect flow</p> <p><b>Rapid SL for WC flushing cistern GD 2 1.13 m installation height</b></p> <p>for on-the-wall installations or studded walls powder coated steel frame, self-supporting for dry-cladding, completely pre-assembled with fixed connections quick adjustment, lockable fixing material TÜV approved; 2 WC fixing bolts fixing device for ceramic WC ceramics with small bearing area (less than 205 mm) require additional accessory 38 779 000</p>	<p>distance of fixing bolts 180/230 mm        outlet bend Ø 90 mm        depth adjustable        reducer Ø 90/110 mm        inlet and outlet connecting set  <b>flushing cistern GD 2, 6 - 9 1</b>        adjustment ex factory 6 l and 3 l        pneumatic discharge valve offering 3 modes of operation: dual flush or start/stop or single flush</p> <p>water supply from left/right or back        low noise (group I acc. to German Noise Specification)        insulated against condensation        ½" water supply connection including integrated angle valve and push fit flexible hose union        no tools required for the installation of the inspection shaft        including protection during construction phase for vertical or horizontal use  <b>without accessories for on-the-wall installation</b></p> <p>for mounting of small flush plates please order revision shaft 40 911 000 (sold separately)</p>	

\* All information of the above is for the reference only. No prior notice is made if any changes.



PROJECT		REF		REV	ITEM CODE	
LOCATION		DATE			PAGE	

**SANITARY WARE SPECIFICATION SHEET**

Item Descriptions	GROHE (Germany) Plastic single top push flush valve	Illustration/ Drawing
Model	42320000	
Finish	Plastic	
Manufacturer	GROHE Limited	
Supplier	Acme Sanitary Ware Co. Ltd Mr. Eric Wong/ Mr. Wilson Hung	
Contact Tel/Fax	(852) 2388-7171 / (852) 2710-8012	
E-mail Website	acme@acmesanitary.com.hk www.acmesanitary.com.hk	
		

Note:

*\* All information of the above is for the reference only. No prior notice is made if any changes.*



水務署  
Water Supplies Department

總部 Headquarters  
香港灣仔告士打道七號入境事務大樓 48 樓  
48/F Tower, 7 Gloucester Road, Wan Chai, Hong Kong



本署檔號 :  
Our ref. :  
來函檔號 :  
Your ref. :

WJ/J2 4 T/J(133/2024)

電話 :  
Tel. :  
傳真 : 2824 0578  
Fax. :

27 February 2024



**Approval of "GROHE" Flush Valve  
(General Acceptance No. C20240141F)**

Your E-Application [file-id: ETJ-GA-20240206-3] dated 6 February 2024 refers.

Having considered the test report ref. J29467 issued on 4 January 2024 by Nutek Systems (HK) Limited; this Authority accepts that the fitting described below complies with, and its use when correctly installed does not contravene, the Waterworks Ordinance and Regulations.

**Name of Manufacturer:** Grohe AG  
**Country of Origin:** Germany  
**Brand:** Grohe  
**Details of Fitting:** 37mm Plastic dual flush valve  
**Model:** 42320000  
**Body Markings:**   
**Expiry Date:** 19 December 2028



**Proviso:** As the fitting has not been tested for use in contact with water intended for human consumption, the fitting can only be used in flushing water plumbing system.

This Authority hereby permits the use of the above fitting in flushing water plumbing systems subject to full adherence to Waterworks installation requirements. In particular, you are required to draw your customers' attention to the following requirement-

"The flushing volume of the flushing valve should be adjusted to suit the design of the toilet bowl so that wastes can be cleared effectively by a single flush."

"The fitting should be used within the range of working pressures specified by the manufacturer." AND

"The installed fitting should not result in backflow of water that will contaminate the flushing water supply."

A condition of this acceptance is that the fitting to be installed shall be replicas of the sample as certified by the testing agent mentioned above and without modifications. This acceptance may be withdrawn at any time if the standard of the fitting installed fails to meet that of the approved sample or if the fitting is found to be unsuitable for use in flushing water plumbing systems.

For the use of the fitting in any project, the General Acceptance Number of this letter must be quoted as a means of identification of acceptance of the fitting by this Authority.

Should you have any enquiries, please contact our Engineer Mr Albert CHOW at tel. no. 3583 4086.

Yours faithfully,



(Terry KUNG)

for Director of Water Supplies

Encl.

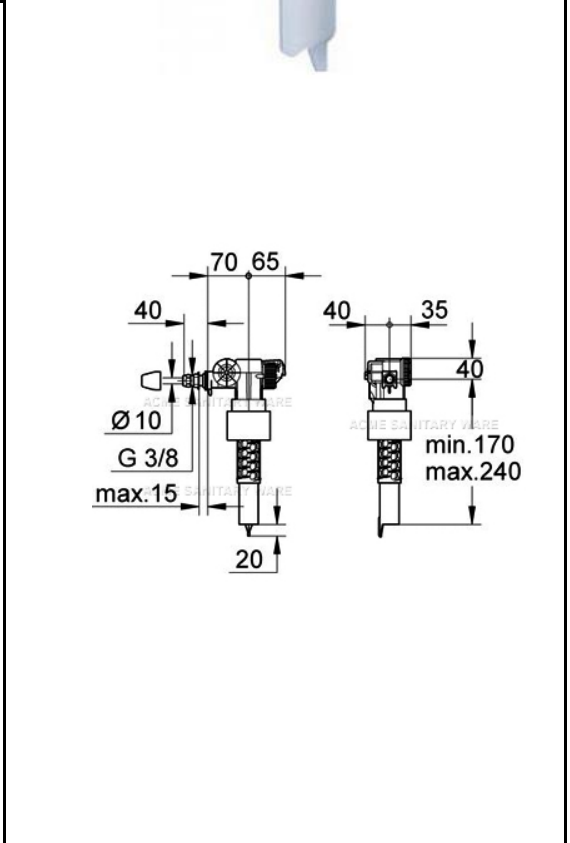
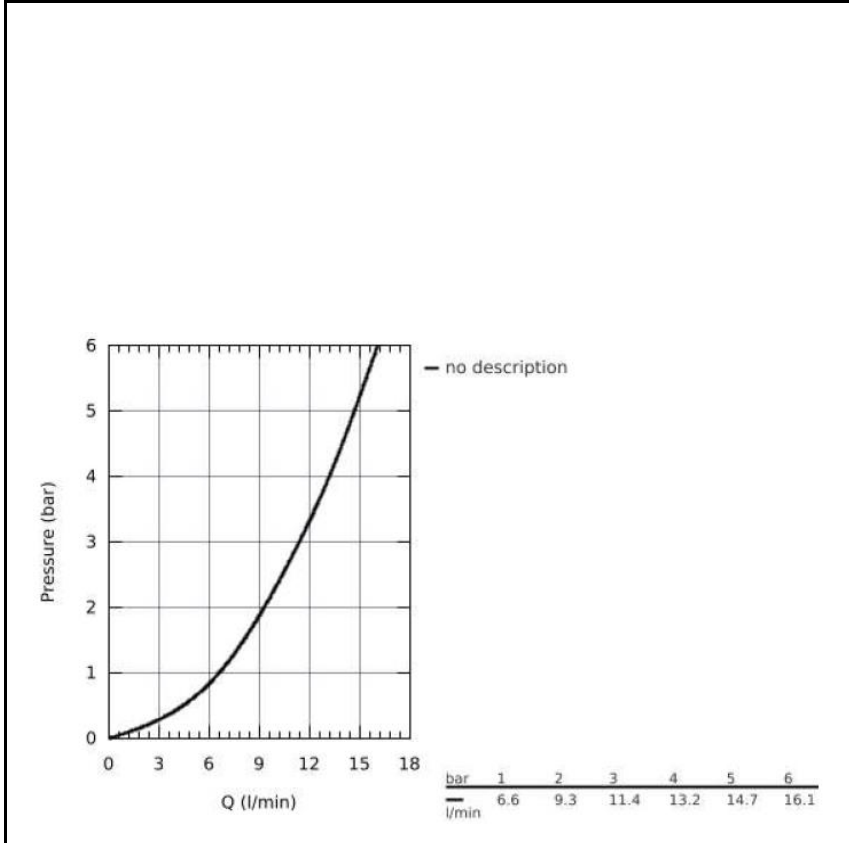
c.c. WSD 3321/1/82 ] - without catalogue  
ME/MC ] - with soft copy only



PROJECT		REF		REV	ITEM CODE	
LOCATION		DATE			PAGE	

## SANITARY WARE SPECIFICATION SHEET

Item Descriptions	GROHE (Germany) Plastic inlet valve	Illustration/ Drawing
Model	37095000	
Finish	Plastic	
Manufacturer	GROHE Limited	
Supplier	Acme Sanitary Ware Co. Ltd Mr. Eric Wong/ Mr. Wilson Hung	
Contact Tel/Fax	(852) 2388-7171 / (852) 2710-8012	
E-mail Website	acme@acmesanitary.com.hk www.acmesanitary.com.hk	



**Note:**

*\* All information of the above is for the reference only. No prior notice is made if any changes.*



水務署  
Water Supplies Department

總部 Headquarters



道七號入境事務大樓 48 樓  
Room 4801, 7 Gloucester Road, Wan Chai, Hong Kong

本署檔號  
Our ref.  
來函檔號  
Your ref.

WSD 2020 T/J(1065/2020)

電話  
Tel. :  
傳真  
Fax. : 2824 0578

6 October 2020



approval of "GROHE" Float Operated Valve  
(General Acceptance No. C20200864F)

Your letter ref. WRC/2305 dated 13 August 2020 refers.

Having considered the test report ref. J24281 issued on 30 July 2020 by Nutek Systems (HK) Limited, this Authority accepts that the fitting described below complies with, and its use when correctly installed does not contravene, the Waterworks Ordinance and Regulations.

**Name of Manufacturer:** Grohe AG  
**Country of Origin:** Germany  
**Brand:** Grohe  
**Details of Fitting:** 3/8" Plastic float operated valve  
**Model:** 37095000  
**Body Markings:**   
**Expiry Date:** 2 June 2025





**Proviso:** As the fitting has not been tested for use in contact with water intended for human consumption, the fitting can only be used in flushing water plumbing system.

This Authority hereby permits the use of the above fitting in flushing water plumbing systems subject to full adherence to Waterworks installation requirements. In particular, you are required to draw your customers' attention to the following requirement-

"The flushing volume of the flushing valve should be adjusted to suit the design of the toilet bowl so that wastes can be cleared effectively by a single flush."

"The fitting should be used within the range of working pressures specified by the manufacturer." AND

"The installed fitting should not result in backflow of water that will contaminate the flushing water supply."

A condition of this acceptance is that the fitting to be installed shall be replicas of the sample as certified by the testing agent mentioned above and without modifications. This acceptance may be withdrawn at any time if the standard of the fitting installed fails to meet that of the approved sample or if the fitting is found to be unsuitable for use in flushing water plumbing systems.

For the use of the fitting in any project, the General Acceptance Number of this letter must be quoted as a means of identification of acceptance of the fitting by this Authority.

Should you have any enquiries, please contact our Engineer Mr. Terry KUNG at tel. no. 3583 4086.

Yours faithfully,



(CHAN Chung-kun)

for Director of Water Supplies

Encl.

c.c. WSD 3321/1/82 ] - without catalogue  
ME/MC ] - with soft copy only